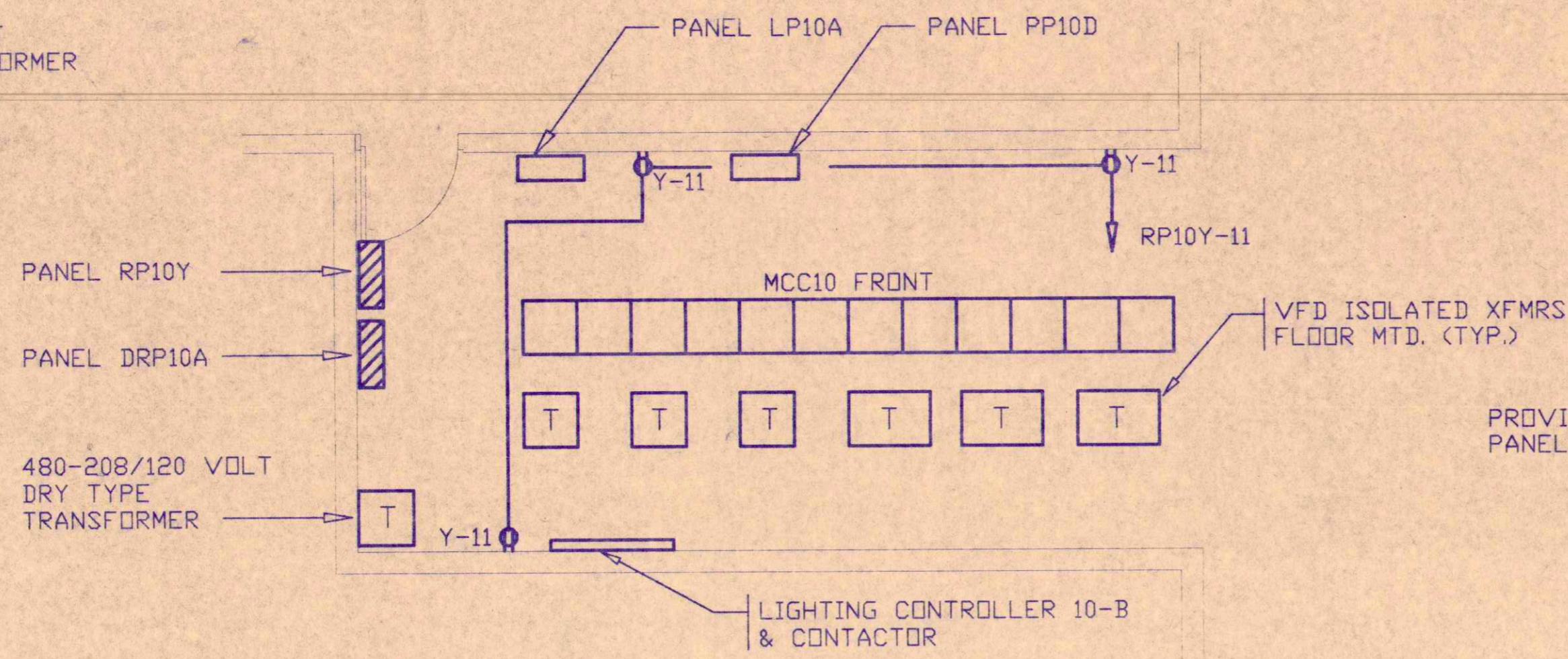
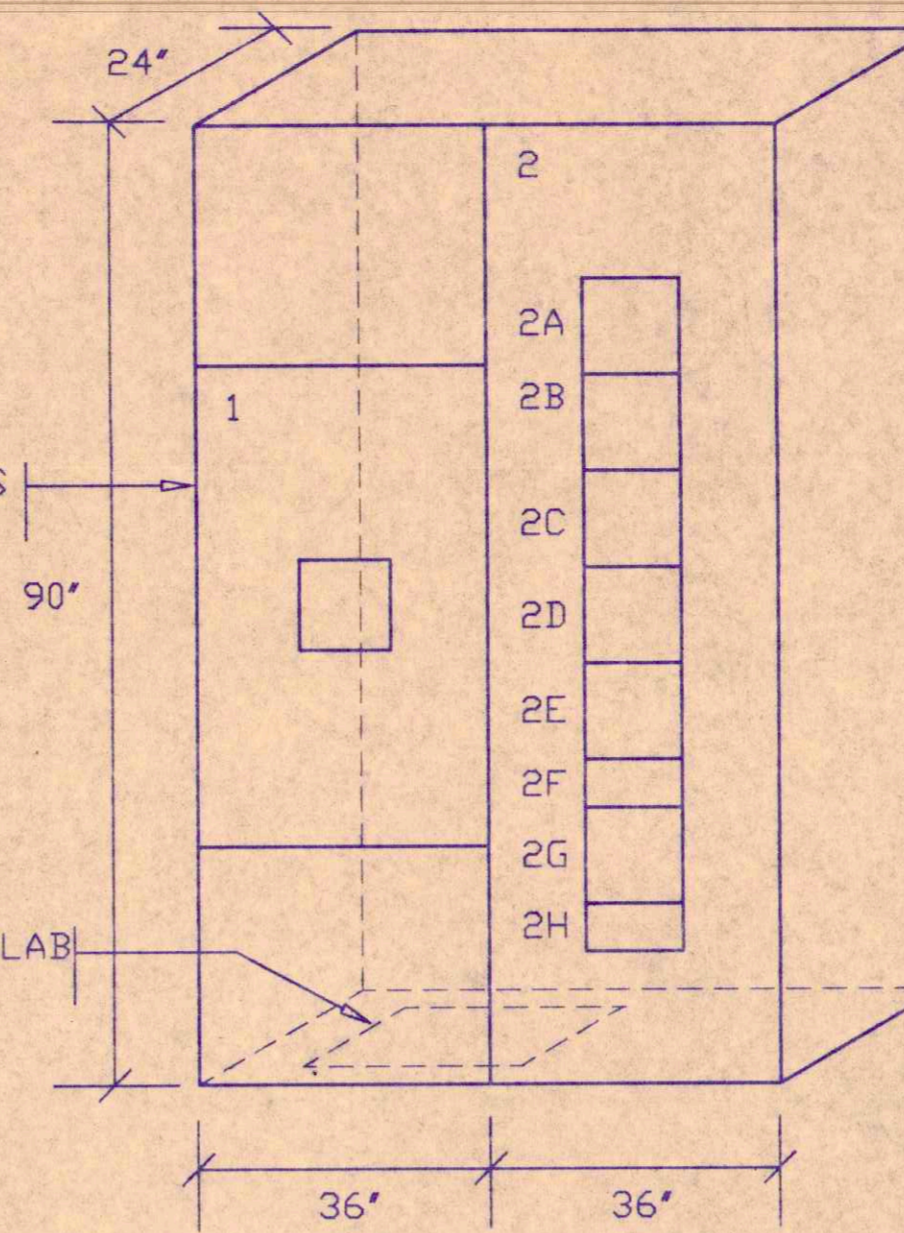


**ELECTRIC ROOM 10-119**  
ENLARGED PLAN  
SCALE: 1/4" = 1'-0"



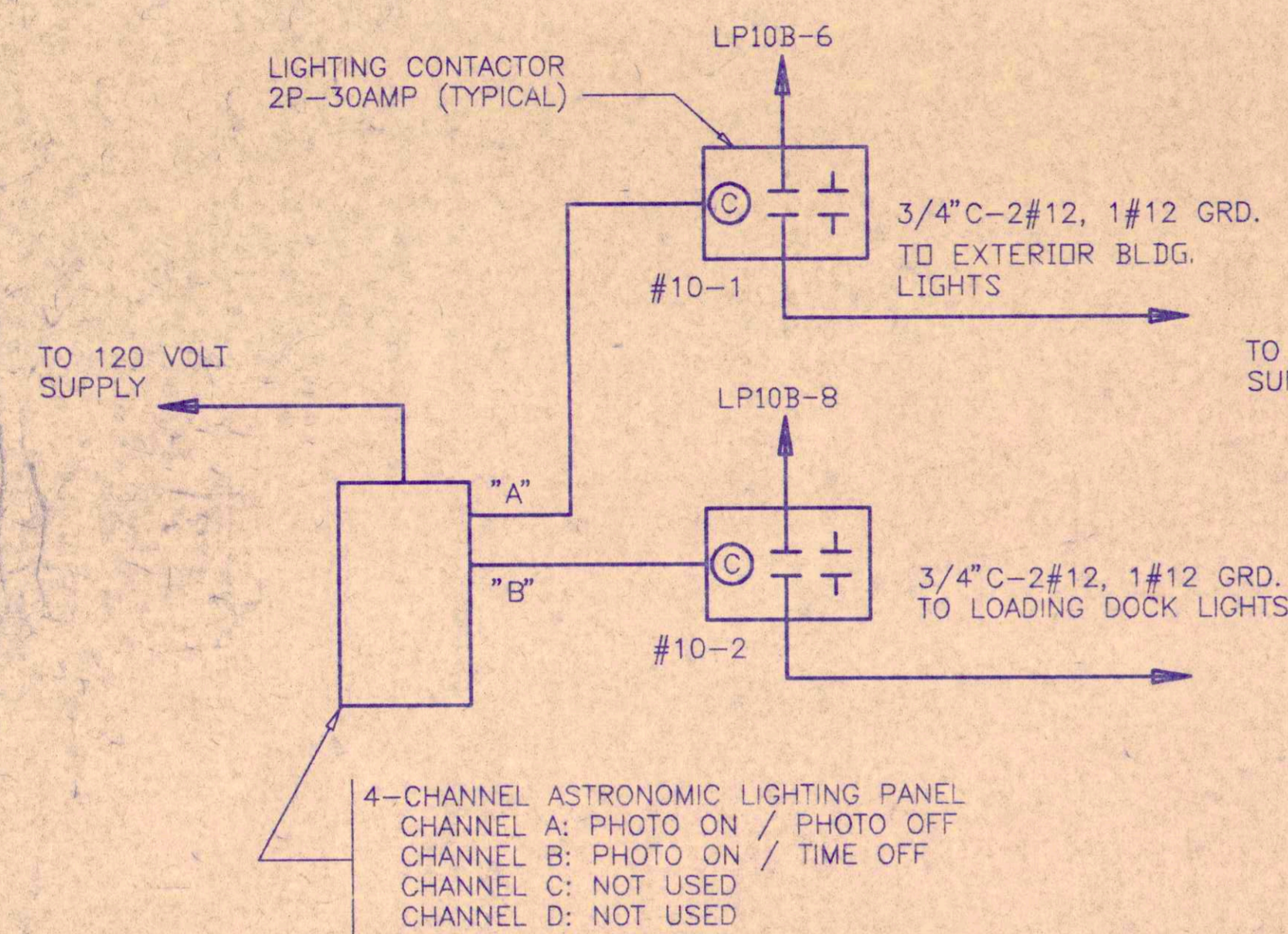
**ELECTRIC ROOM 10-122**  
ENLARGED PLAN  
SCALE: 1/4" = 1'-0"



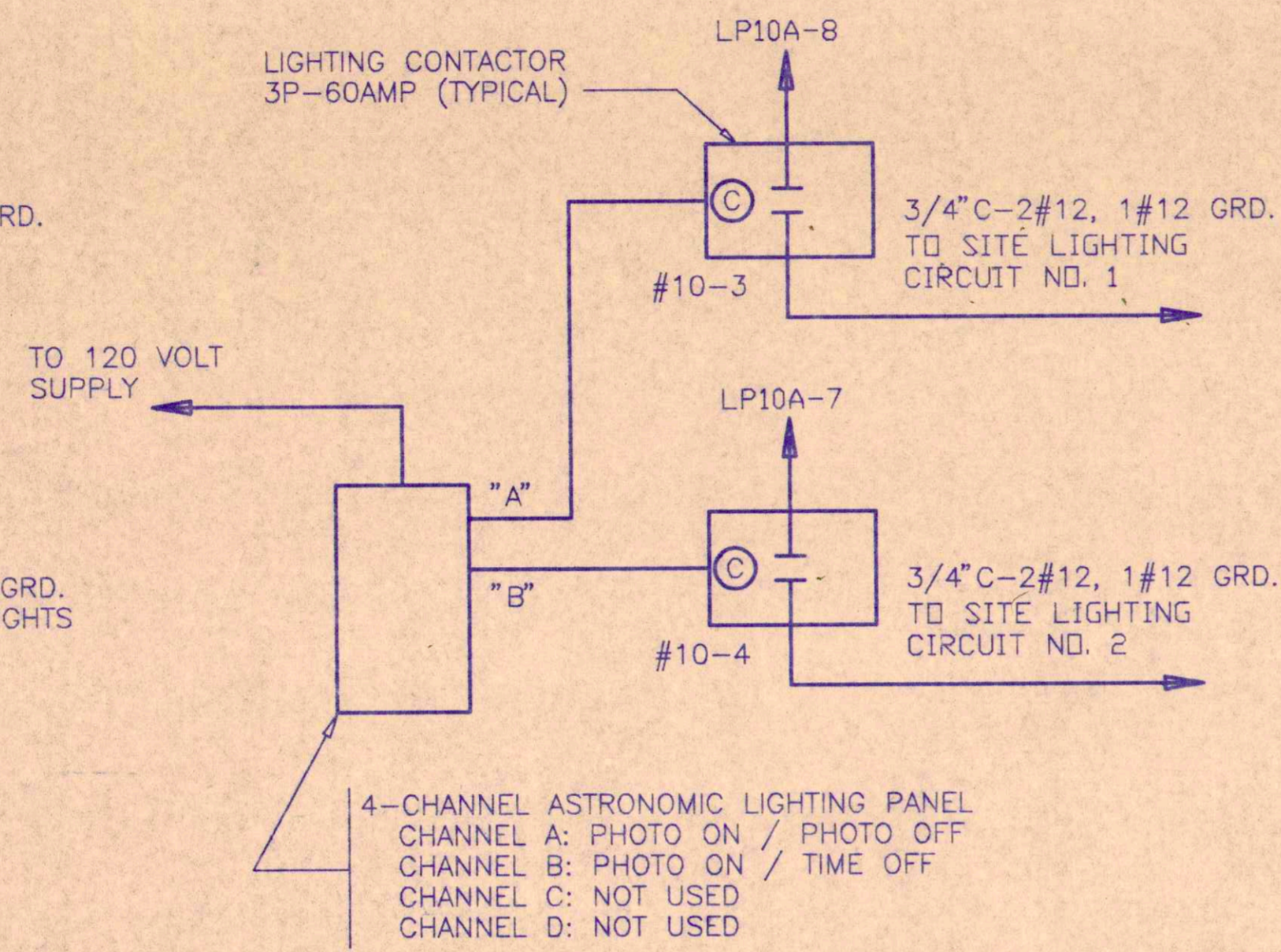
**SWITCHBOARD 10 - ELEVATION**  
NOT TO SCALE

| SWITCHBOARD 10 SCHEDULE |   |         |                           |                           |                           |                     |
|-------------------------|---|---------|---------------------------|---------------------------|---------------------------|---------------------|
| DESIGNATION             | SB10  | VOLTAGE | 480/277                   | 2500 AMP MAIN BRKR *      |                           |                     |
| LOCATION                | RM. 10-122  | PHASE   | 3                         | 50,000 AMP A.I.C. @ 480 V |                           |                     |
|                         |   | WIRE    | 4                         | SOLID NEUTRAL             |                           |                     |
| COMPARTMENT NO.         | CIRCUIT DESCRIPTION                                 | POLES   | CIRCUIT FRAME SIZE (AMPS) | BREAKER TRIP SIZE (AMPS)  | A.I.C. RATING (AMPSx1000) | CONNECTED AMPS (3Ø) |
| 1                       | MAIN BREAKER (PROVIDE W/ INTEGRAL GND. FAULT BRKR.) | 3       | 2500                      | 2500                      | 100                       | —                   |
| 2A                      | CHILLER NO. 1                                       | 3       | 600                       | 600                       | 50                        | 350                 |
| 2B                      | CHILLER NO. 2                                       | 3       | 600                       | 600                       | 50                        | 350                 |
| 2C                      | MCC10   | 3       | 800                       | 800                       | 50                        | 550                 |
| 2D                      | PP10D   | 3       | 250                       | 225                       | 50                        | 76                  |
| 2E                      | DP10B   | 3       | 250                       | 225                       | 50                        | 105                 |
| 2F                      | BLDG. 10A   | 3       | 250                       | 225                       | 65                        | 125                 |
| 2G                      | SPARE   | 3       | 400                       | 125                       | 65                        | —                   |
| 2H                      | SPARE   | 3       | 225                       | 200                       | 65                        | —                   |
| TOTAL AMPS              |   |         |                           |                           |                           | 1457                |

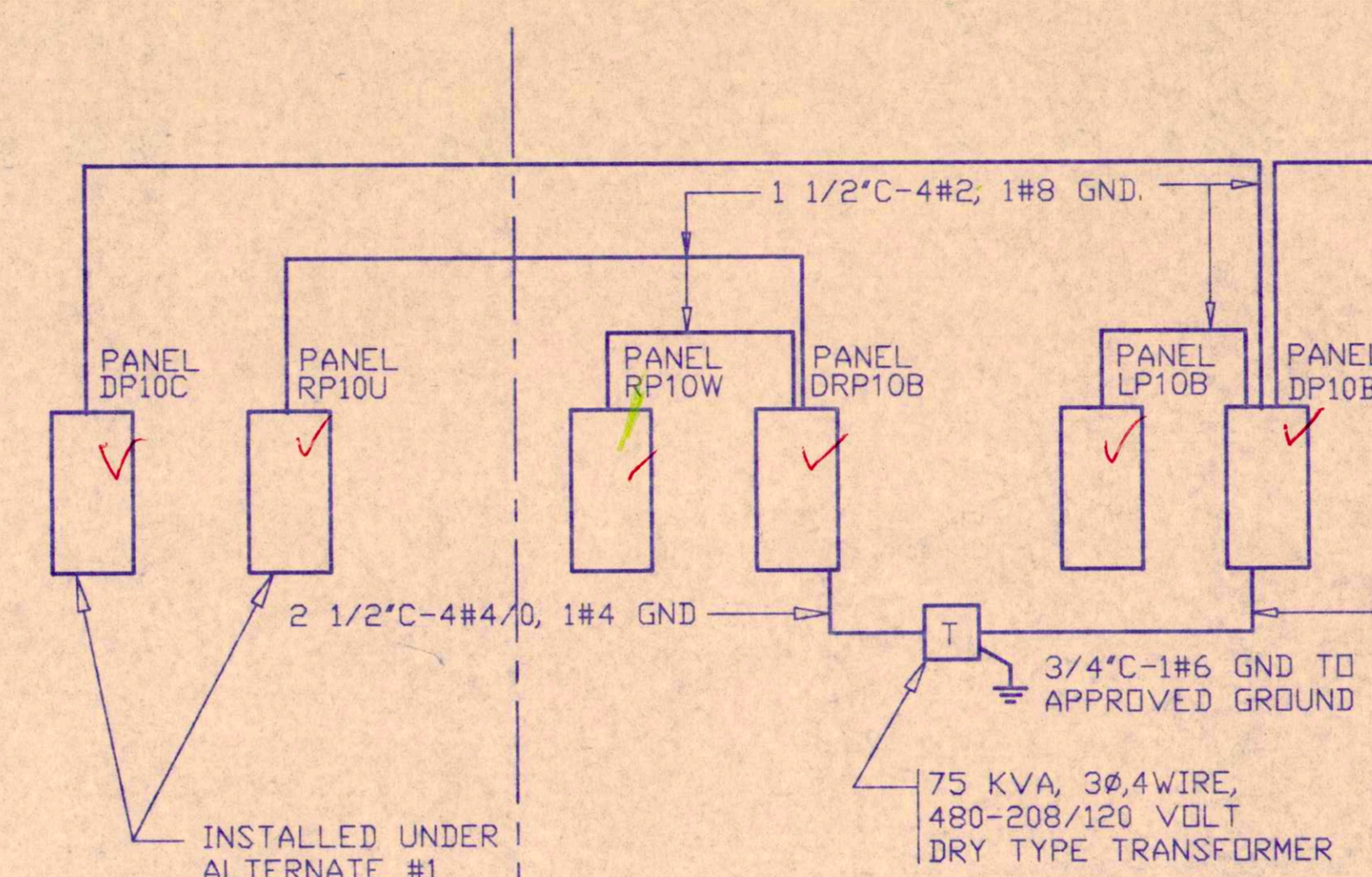
\* PROVIDE WITH GROUND FAULT PROTECTION



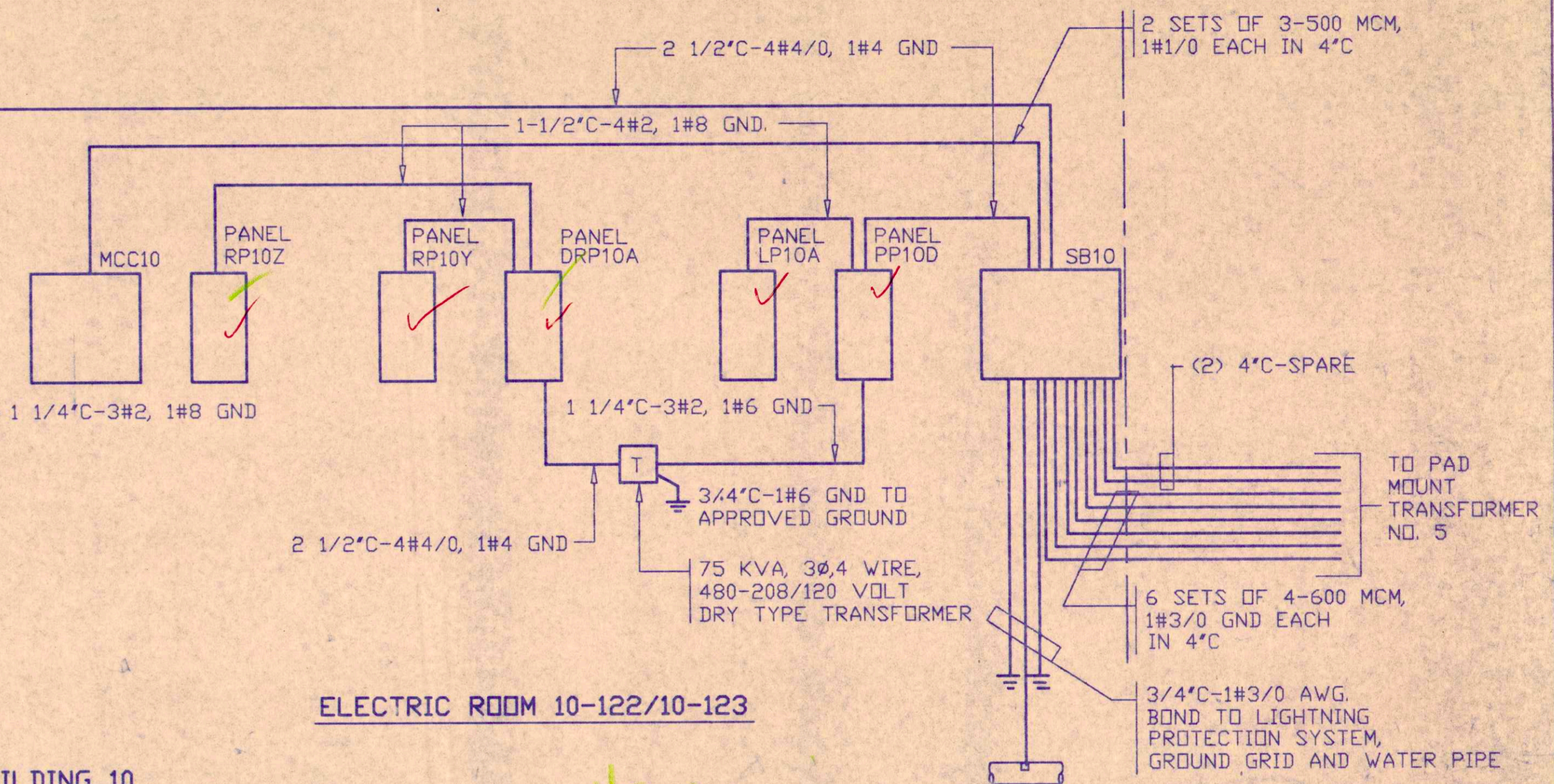
**LIGHTING CONTROLLER 10-A**  
SCHEMATIC WIRING DIAGRAM  
NOT TO SCALE



**LIGHTING CONTROLLER 10-B**  
SCHEMATIC WIRING DIAGRAM  
NOT TO SCALE



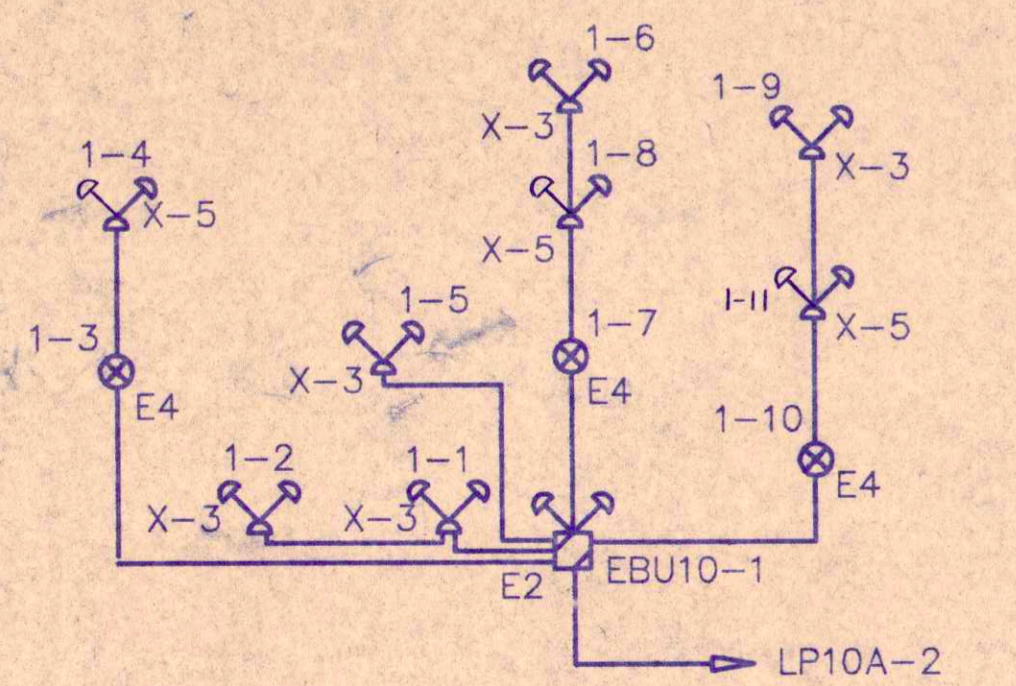
**ELECTRIC ROOM 10-119**



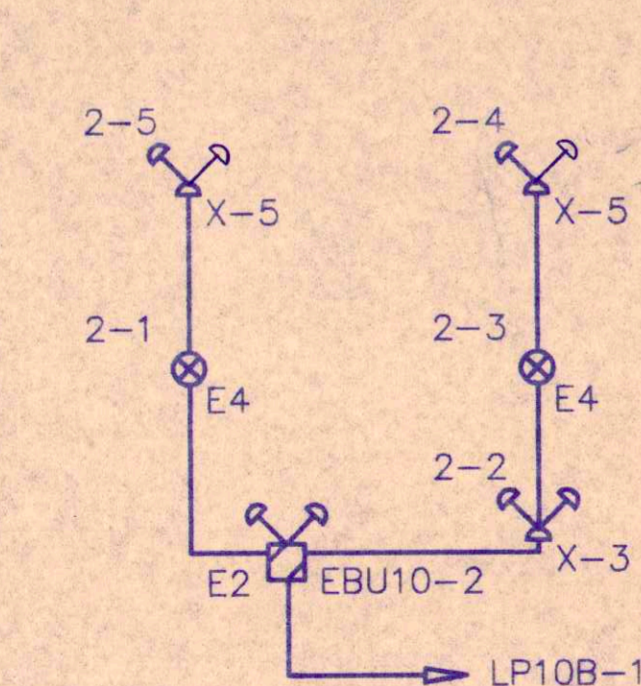
**ELECTRIC ROOM 10-122/10-123**

**BUILDING 10**  
POWER DISTRIBUTION SYSTEM  
SINGLE LINE DIAGRAM  
NOT TO SCALE

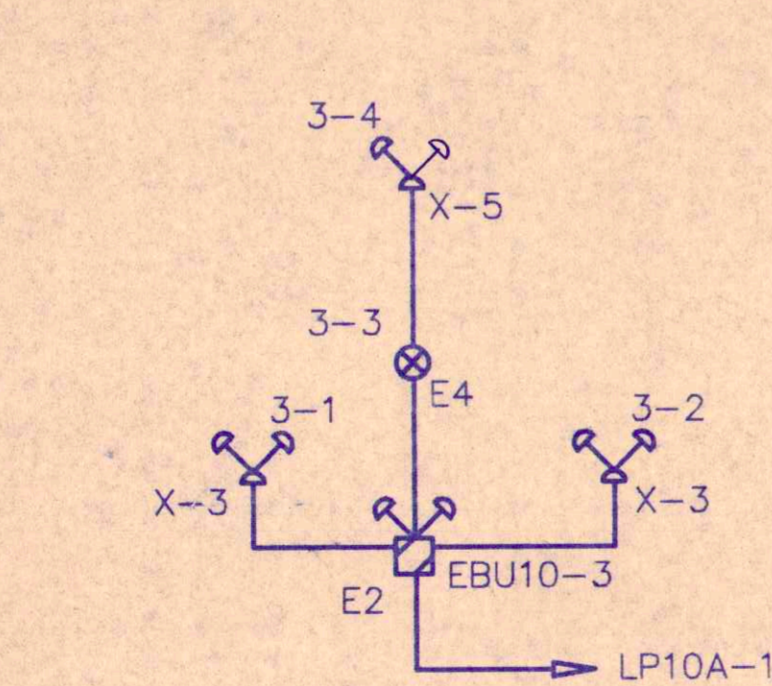
*All Bottom Feed Panels*



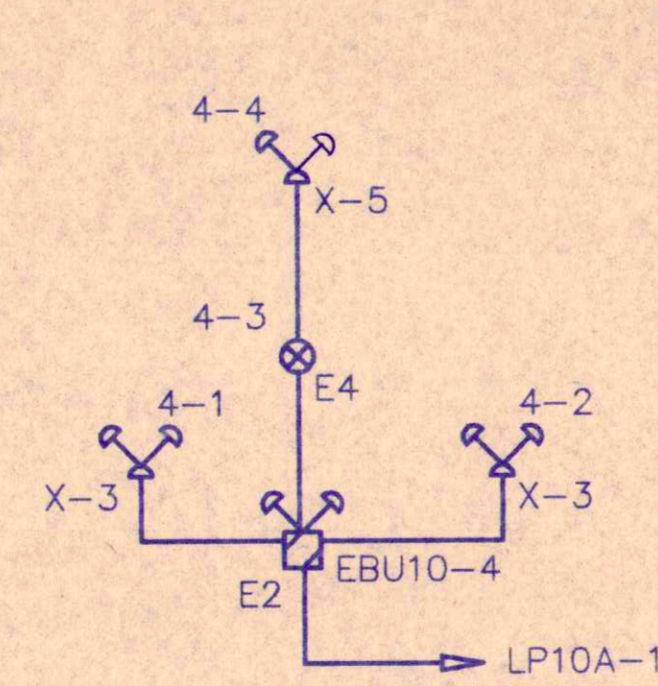
**BUILDING #10**  
EMERGENCY BATTERY UNIT NO. 10-1  
ONE LINE DIAGRAM  
NOT TO SCALE



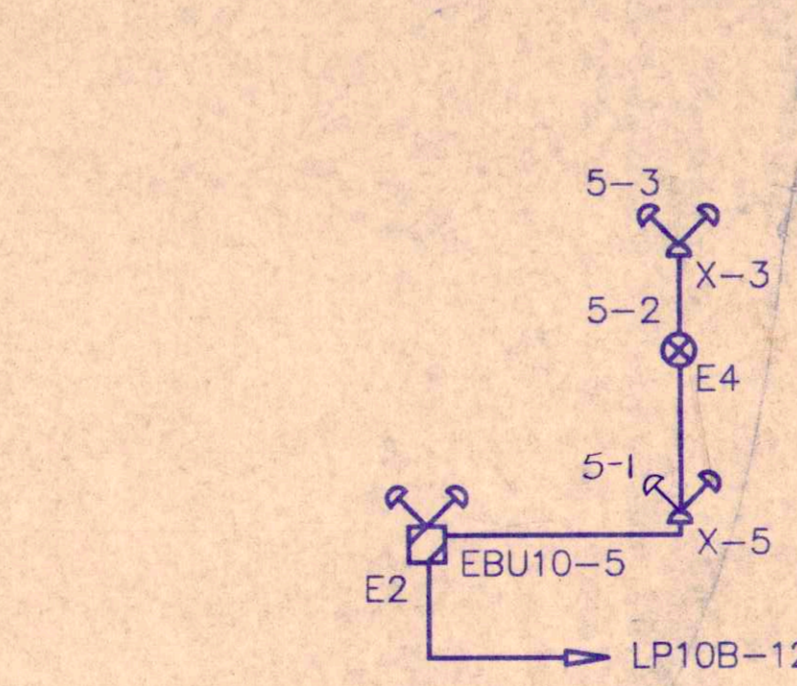
**BUILDING #10**  
EMERGENCY BATTERY UNIT NO. 10-2  
ONE LINE DIAGRAM  
NOT TO SCALE



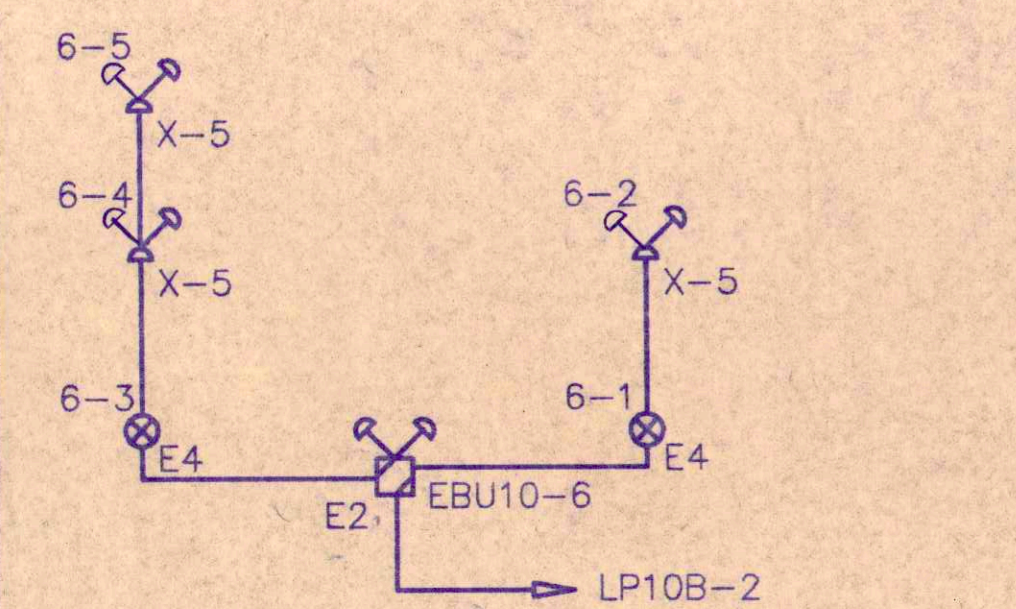
**BUILDING #10**  
EMERGENCY BATTERY UNIT NO. 10-3  
ONE LINE DIAGRAM  
NOT TO SCALE



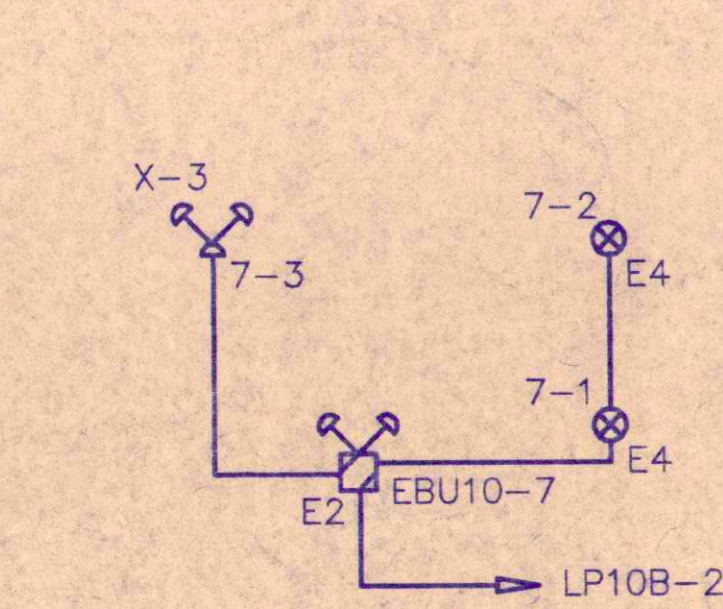
**BUILDING #10**  
EMERGENCY BATTERY UNIT NO. 10-4  
ONE LINE DIAGRAM  
NOT TO SCALE



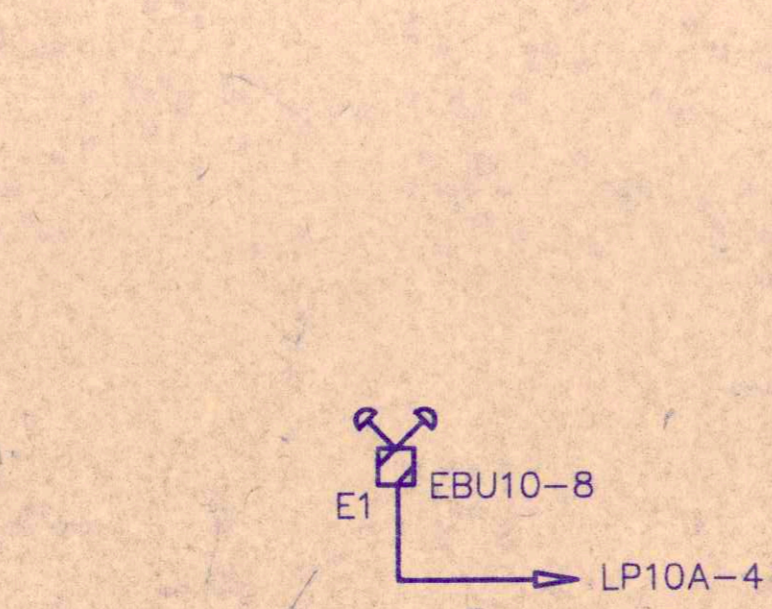
**BUILDING #10**  
EMERGENCY BATTERY UNIT NO. 10-5  
ONE LINE DIAGRAM  
NOT TO SCALE



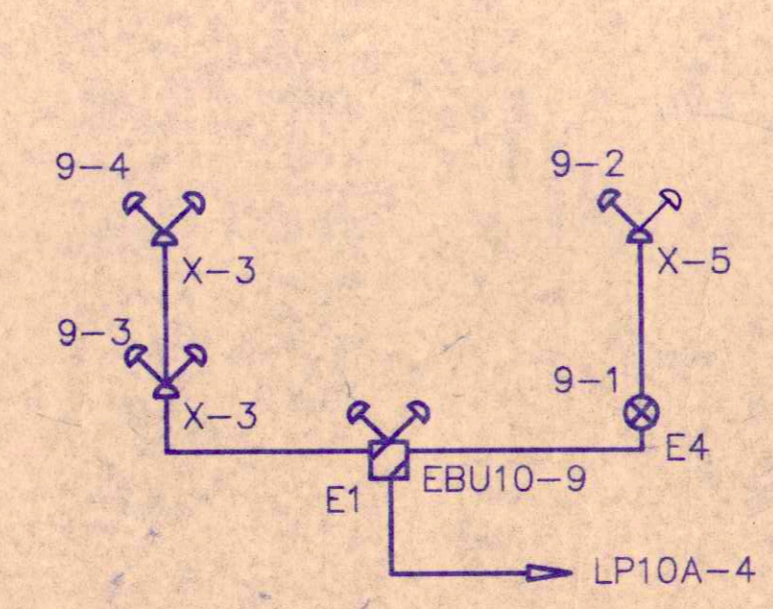
**BUILDING #10**  
EMERGENCY BATTERY UNIT NO. 10-6  
ONE LINE DIAGRAM  
NOT TO SCALE



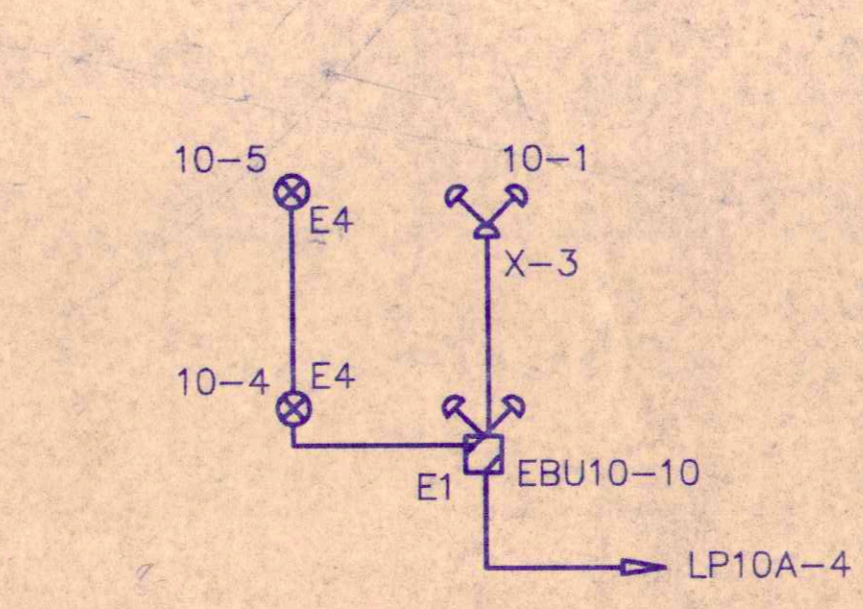
**BUILDING #10**  
EMERGENCY BATTERY UNIT NO. 10-7  
ONE LINE DIAGRAM  
NOT TO SCALE



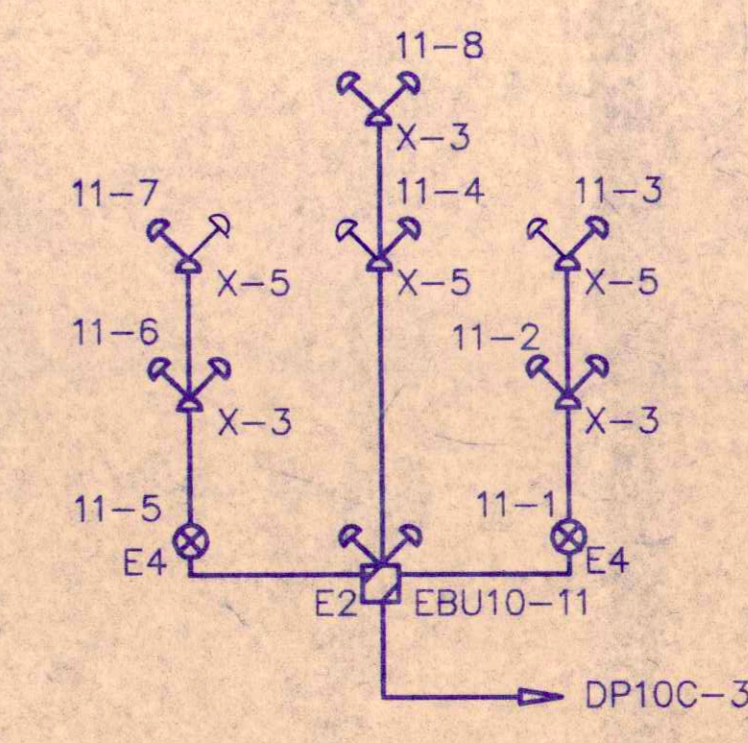
**BUILDING #10**  
EMERGENCY BATTERY UNIT NO. 10-8  
ONE LINE DIAGRAM  
NOT TO SCALE



**BUILDING #10**  
EMERGENCY BATTERY UNIT NO. 10-9  
ONE LINE DIAGRAM  
NOT TO SCALE



**BUILDING #10**  
EMERGENCY BATTERY UNIT NO. 10-10  
ONE LINE DIAGRAM  
NOT TO SCALE



**BUILDING #10 (ALT. #1)**  
EMERGENCY BATTERY UNIT NO. 10-11  
ONE LINE DIAGRAM  
NOT TO SCALE

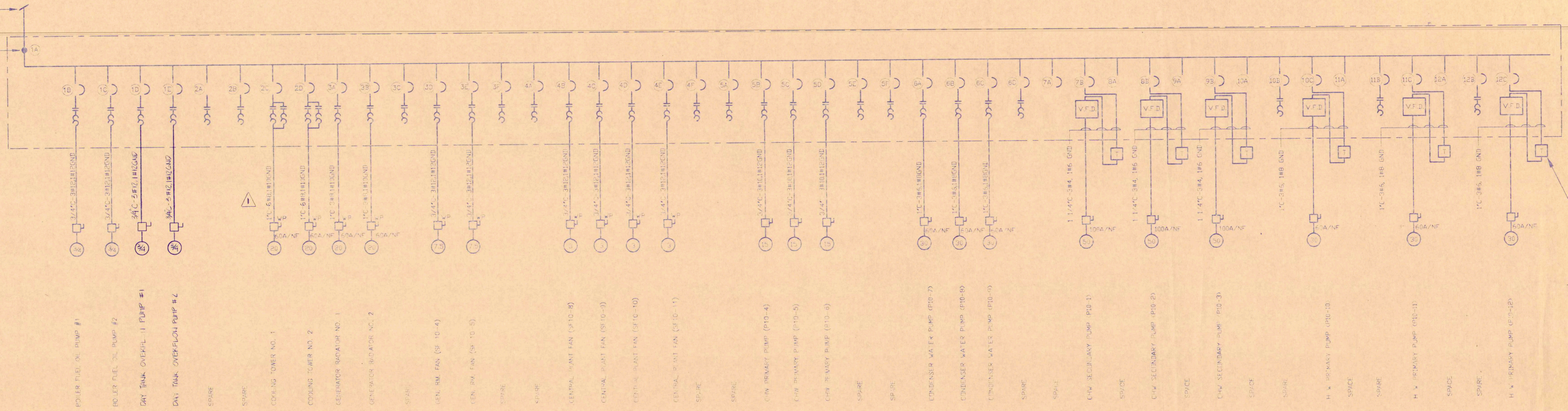
**NOTES**

- FOR GENERAL NOTES AND LEGEND, SEE DWG. E0-1.
- FOR PANELBOARD SCHEDULES, SEE DWG. E6-26.
- FOR MOTOR CONTROL CENTER ONE LINE DIAGRAM, ELEVATION AND SCHEDULE, SEE DWG. E6-27.
- ALL DC WIRING TO BE #8 AWG FOR ALL ASSOCIATED BATTERY UNIT ONE LINE DIAGRAMS.

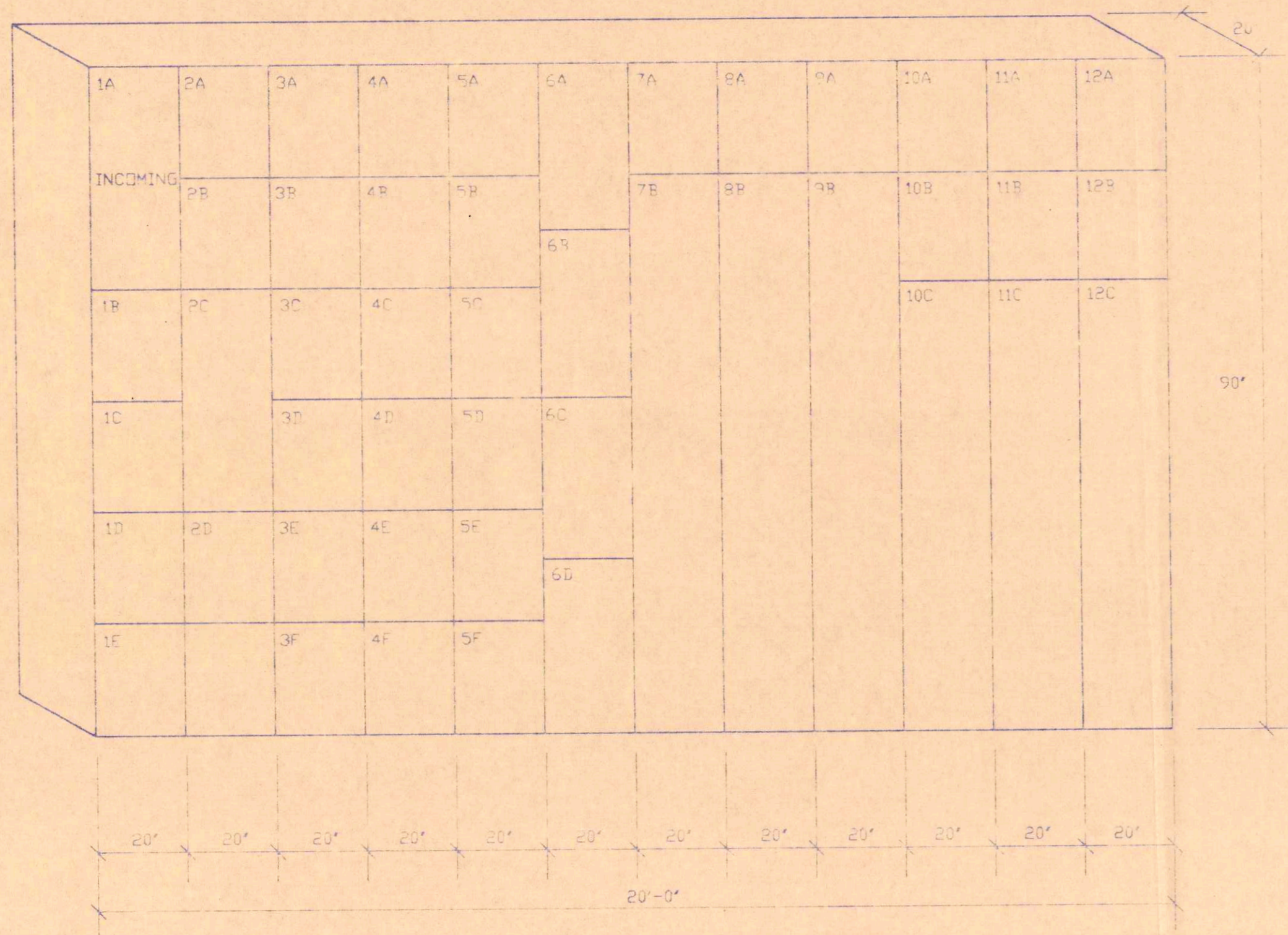
| REVISIONS |      | DRAWINGS PREPARED BY |                                       | DATE                                 |
|-----------|------|----------------------|---------------------------------------|--------------------------------------|
| NO.       | DATE | DESCRIPTION          | Henningson, Durham & Richardson, Inc. | 07/28/1998                           |
|           |      | Maguire Group, Inc.  |                                       | AS NOTED                             |
|           |      | PROJECT              |                                       | 350 Bed Facility For Women           |
|           |      | DESIGNED BY          |                                       | Connecticut Correctional Institution |
|           |      | CHECKED BY           |                                       | Niantic, Connecticut                 |
|           |      | DRAWING NO.          |                                       | E6-25                                |
|           |      | PROJECT NO.          |                                       | BI-JA-217C                           |

FOR CONTINUATION, REFER TO BUILDING 10 POWER DISTRIBUTION SINGLE LINE DIAGRAM

MAIN LUGS



MCC10 ONE-LINE DIAGRAM  
NO SCALE



MCC10 - FRONT ELEVATION  
NOT TO SCALE

| MOTOR CONTROL CENTER SCHEDULE 10 |   |       |      |         |         |           |            |               |   | TOTAL CONNECTED HP: 481.5                                      |
|----------------------------------|---|-------|------|---------|---------|-----------|------------|---------------|---|--|
| COMPT. NO.                       | MOTOR DESIGNATION (NAMEPLATE DESCRIPTION) | MOTOR |      | STARTER |         | CONT. AMP |            | REMARKS       |   | CONTROL POWER - 120V, 60HZ FROM INDIVIDUAL CONTROL TRANSFORMER |
|                                  |   | HP    | FLA  | SIZE    | TYPE    | FRAME     | CONT. AMPS |               |   |  |
| 1A                               | INCOMING LUGS                             | -     | -    | -       | -       | -         | -          | -             | - | -  |
| 1B                               | BOILER FUEL OIL PUMP #1                   | 3/4   | 1.4  | 1       | FVNR    | MCP       | 3          | SEE NOTES 2,7 | - | -  |
| 1C                               | BOILER FUEL OIL PUMP #2                   | 3/4   | 1.4  | 1       | FVNR    | MCP       | 3          | SEE NOTES 2,7 | - | -  |
| 1D                               | DAY TANK OVERFLOW PUMP #1                 | 3/4   | 1.4  | 1       | FVNR    | MCP       | 3          | SEE NOTE 7    | - | -  |
| 1E                               | DAY TANK OVERFLOW PUMP #2                 | 3/4   | 1.4  | 1       | FVNR    | MCP       | 3          | SEE NOTE 7    | - | -  |
| 2A                               | SPARE                                     | -     | -    | -       | -       | -         | -          | -             | - | -  |
| 2B                               | SPARE                                     | -     | -    | -       | -       | -         | -          | -             | - | -  |
| 2C                               | COOLING TOWER NO. 1                       | 20    | 27.0 | 2       | 2 SPEED | MCP       | 60         | SEE NOTES 6,7 | - | -  |
| 2D                               | COOLING TOWER NO. 2                       | 20    | 27.0 | 2       | 2 SPEED | MCP       | 60         | SEE NOTES 6,7 | - | -  |
| 3A                               | GENERATOR RADIATOR NO. 1                  | 20    | 27.0 | 2       | FVNR    | MCP       | 90         | SEE NOTES 6,7 | - | -  |
| 3B                               | GENERATOR RADIATOR NO. 2                  | 20    | 27.0 | 2       | FVNR    | MCP       | 90         | SEE NOTES 6,7 | - | -  |
| 3C                               | SPARE                                     | -     | -    | -       | -       | -         | -          | -             | - | -  |
| 3D                               | SPARE                                     | -     | -    | -       | -       | -         | -          | -             | - | -  |
| 3E                               | GEN. RM. FAN (SF 10-4)                    | 7.5   | 11.0 | 1       | FVNR    | MCP       | 15         | SEE NOTES 6,7 | - | -  |
| 3F                               | GEN. RM. FAN (SF 10-5)                    | 7.5   | 11.0 | 1       | FVNR    | MCP       | 15         | SEE NOTE 7    | - | -  |
| 3G                               | SPARE                                     | -     | -    | -       | -       | -         | -          | -             | - | -  |
| 4A                               | SPARE                                     | -     | -    | -       | -       | -         | -          | -             | - | -  |
| 4B                               | CENTRAL PLANT FAN (SF10-6)                | 3     | 4.8  | 1       | FVNR    | MCP       | 7          | SEE NOTES 3,7 | - | -  |
| 4C                               | CENTRAL PLANT FAN (SF10-9)                | 3     | 4.8  | 1       | FVNR    | MCP       | 7          | SEE NOTES 3,7 | - | -  |
| 4D                               | CENTRAL PLANT FAN (SF10-10)               | 3     | 4.8  | 1       | FVNR    | MCP       | 7          | SEE NOTES 3,7 | - | -  |
| 4E                               | CENTRAL PLANT FAN (SF10-11)               | 3     | 4.8  | 1       | FVNR    | MCP       | 7          | SEE NOTES 3,7 | - | -  |
| 4F                               | SPARE                                     | -     | -    | -       | -       | -         | -          | -             | - | -  |
| 5A                               | SPARE                                     | -     | -    | -       | -       | -         | -          | -             | - | -  |
| 5B                               | CHW PRIMARY PUMP (P10-4)                  | 15    | 21   | 2       | FVNR    | MCP       | 30         | SEE NOTES 3,7 | - | -  |
| 5C                               | CHW PRIMARY PUMP (P10-5)                  | 15    | 21   | 2       | FVNR    | MCP       | 30         | SEE NOTES 3,7 | - | -  |
| 5D                               | CHW PRIMARY PUMP (P10-6)                  | 15    | 21   | 2       | FVNR    | MCP       | 30         | SEE NOTES 3,7 | - | -  |
| 5E                               | SPARE                                     | -     | -    | -       | -       | -         | -          | -             | - | -  |
| 5F                               | SPARE                                     | -     | -    | -       | -       | -         | -          | -             | - | -  |
| 6A                               | CONDENSER WATER PUMP (P10-7)              | 30    | 40   | 3       | FVNR    | MCP       | 100        | SEE NOTES 3,7 | - | -  |
| 6B                               | CONDENSER WATER PUMP (P10-8)              | 30    | 40   | 3       | FVNR    | MCP       | 100        | SEE NOTES 3,7 | - | -  |
| 6C                               | CONDENSER WATER PUMP (P10-9)              | 30    | 40   | 3       | FVNR    | MCP       | 100        | SEE NOTES 3,7 | - | -  |
| 6D                               | SPARE                                     | -     | -    | -       | -       | -         | -          | -             | - | -  |
| 7A                               | SPACE                                     | -     | -    | -       | -       | -         | -          | -             | - | -  |
| 7B                               | CHW SECONDARY PUMP (P10-1)                | 50    | 65   | -       | VFD     | MCP       | 100        | SEE NOTES 3,6 | - | -  |
| 7C                               | SPACE                                     | -     | -    | -       | -       | -         | -          | -             | - | -  |
| 7D                               | SPACE                                     | -     | -    | -       | -       | -         | -          | -             | - | -  |
| 7E                               | CHW SECONDARY PUMP (P10-2)                | 50    | 65   | -       | VFD     | MCP       | 100        | SEE NOTES 3,6 | - | -  |
| 7F                               | SPACE                                     | -     | -    | -       | -       | -         | -          | -             | - | -  |
| 7G                               | SPACE                                     | -     | -    | -       | -       | -         | -          | -             | - | -  |
| 7H                               | CHW SECONDARY PUMP (P10-3)                | 50    | 65   | -       | VFD     | MCP       | 100        | SEE NOTES 3,6 | - | -  |
| 7I                               | SPACE                                     | -     | -    | -       | -       | -         | -          | -             | - | -  |
| 7J                               | SPACE                                     | -     | -    | -       | -       | -         | -          | -             | - | -  |
| 7K                               | SPACE                                     | -     | -    | -       | -       | -         | -          | -             | - | -  |
| 7L                               | SPACE                                     | -     | -    | -       | -       | -         | -          | -             | - | -  |
| 7M                               | SPACE                                     | -     | -    | -       | -       | -         | -          | -             | - | -  |
| 7N                               | SPACE                                     | -     | -    | -       | -       | -         | -          | -             | - | -  |
| 7O                               | SPACE                                     | -     | -    | -       | -       | -         | -          | -             | - | -  |
| 7P                               | SPACE                                     | -     | -    | -       | -       | -         | -          | -             | - | -  |
| 7Q                               | SPACE                                     | -     | -    | -       | -       | -         | -          | -             | - | -  |
| 7R                               | SPACE                                     | -     | -    | -       | -       | -         | -          | -             | - | -  |
| 7S                               | SPACE                                     | -     | -    | -       | -       | -         | -          | -             | - | -  |
| 7T                               | SPACE                                     | -     | -    | -       | -       | -         | -          | -             | - | -  |
| 7U                               | SPACE                                     | -     | -    | -       | -       | -         | -          | -             | - | -  |
| 7V                               | SPACE                                     | -     | -    | -       | -       | -         | -          | -             | - | -  |
| 7W                               | SPACE                                     | -     | -    | -       | -       | -         | -          | -             | - | -  |
| 7X                               | SPACE                                     | -     | -    | -       | -       | -         | -          | -             | - | -  |
| 7Y                               | SPACE                                     | -     | -    | -       | -       | -         | -          | -             | - | -  |
| 7Z                               | SPACE                                     | -     | -    | -       | -       | -         | -          | -             | - | -  |
| 8A                               | H.W. PRIMARY PUMP (P10-10)                | 30    | 40   | -       | VFD     | MCP       | 100        | SEE NOTES 3,6 | - | -  |
| 8B                               | SPACE                                     | -     | -    | -       | -       | -         | -          | -             | - | -  |
| 8C                               | SPACE                                     | -     | -    | -       | -       | -         | -          | -             | - | -  |
| 8D                               | SPACE                                     | -     | -    | -       | -       | -         | -          | -             | - | -  |
| 8E                               | SPACE                                     | -     | -    | -       | -       | -         | -          | -             | - | -  |
| 8F                               | SPACE                                     | -     | -    | -       | -       | -         | -          | -             | - | -  |
| 8G                               | SPACE                                     | -     | -    | -       | -       | -         | -          | -             | - | -  |
| 8H                               | SPACE                                     | -     | -    | -       | -       | -         | -          | -             | - | -  |
| 8I                               | SPACE                                     | -     | -    | -       | -       | -         | -          | -             | - | -  |
| 8J                               | SPACE                                     | -     | -    | -       | -       | -         | -          | -             | - | -  |
| 8K                               | SPACE                                     | -     | -    | -       | -       | -         | -          | -             | - | -  |
| 8L                               | SPACE                                     | -     | -    | -       | -       | -         | -          | -             | - | -  |
| 8M                               | SPACE                                     | -     | -    | -       | -       | -         | -          | -             | - | -  |
| 8N                               | SPACE                                     | -     | -    | -       | -       | -         | -          | -             | - | -  |
| 8O                               | SPACE                                     | -     | -    | -       | -       | -         | -          | -             | - | -  |
| 8P                               | SPACE                                     | -     | -    | -       | -       | -         | -          | -             | - | -  |
| 8Q                               | SPACE                                     | -     | -    | -       | -       | -         | -          | -             | - | -  |
| 8R                               | SPACE                                     | -     | -    | -       | -       | -         | -          | -             | - | -  |
| 8S                               | SPACE                                     | -     | -    | -       | -       | -         | -          | -             | - | -  |
| 8T                               | SPACE                                     | -     | -    | -       | -       | -         | -          | -             | - | -  |
| 8U                               | SPACE                                     | -     | -    | -       | -       | -         | -          | -             | - | -  |
| 8V                               | SPACE                                     | -     | -    | -       | -       | -         | -          | -             | - | -  |
| 8W                               | SPACE                                     | -     | -    | -       | -       | -         | -          | -             | - | -  |
| 8X                               | SPACE                                     | -     | -    | -       | -       | -         | -          | -             | - | -  |
| 8Y                               | SPACE                                     | -     | -    | -       | -       | -         | -          | -             | - | -  |
| 8Z                               | SPACE                                     | -     | -    | -       | -       | -         | -          | -             | - | -  |

- NOTES**
- FOR GENERAL NOTES AND LEGEND, SEE DWG. 00-1.
  - INTER-LOCK WITH BOILER CONTROLS.
  - INTER-LOCK WITH ENERGY MANAGEMENT SYSTEM.
  - INTER-LOCK WITH GENERATOR CONTROLS.
  - REFER TO DIVISION 15 FOR CONTROLS.
  - PROVIDE VARIABLE FREQUENCY DRIVE TYPE STARTERS, REFER TO SPECIFICATION SECTION 15978 FOR ADDITIONAL REQUIREMENTS.
  - PROVIDE WITH GREEN 4MM PILOT LIGHT AND HAND-OFF-AUTO SELECTOR SWITCH.

|  |          |  |                  |
|--|----------|--|------------------|
| MCC ONE LINE DIAGRAM, ELEVATION & SCHEDULE |          | STATE OF CONNECTICUT<br>DEPARTMENT OF PUBLIC WORKS |                  |
| REVISIONS                                  |          |  |                  |
| NO.  | DATE     | DESCRIPTION  | BY               |
| 1  | 6-1-1999 | APPENDUM 1   | Richardson, Inc. |

DRAWING PREPARED BY: Richardson, Inc.  
 PROJECT: 350 Bed Facility For Women  
 APPROVED BY: [Signature]  
 DATE: OCT. 28, 1999  
 SHEET NO: E6-27